



Bringing the inside out and the outside in, bi-fold doors can transform a living space

As part of our comprehensive Stratford doorset range, Arden Windows now offers timber bi-fold doorsets.

Bringing the inside out and the outside in, bi-fold doors can transform a living space. With simple installation, and even simpler operation and maintenance, our bi-fold doors ensure you have to make no compromises on design.

Versatility and flexibility

A wide range of door opening options are available from two or more door leaves up to a maximum width of 5.4 metres (minimum 6 door leaves).

Door leaves open as floating, left side opening and right side opening combinations (see back page for further options).



With a drop-bolt locking system, the end opening door is able to act as single opening door if required.



Standard bi-folds open-out to maximise internal space.



New products, competitively priced
Stratford™ bi-fold doors

Bi-Fold doorsets are made-to-measure according to your specifications. For ease, the standard features of the range are provided below for quick reference, but note that many of the options can be changed:

TIMBER	FSC softwood and hardwood available.
GLAZING	28mm double glazed units with 4mm clear outer panel, 4 mm clear inner panel, with Planitherm to one pane and toughened glass to comply with Part L of the Building Regulations.
LOCKING	Secured by dropbolts (one per pair of door-leaves) and one standard multi point locking handle on one end door-leaf.
PRESERVATION	Supplied with factory applied water based Boron preservative treatment. This provides a 35 year guarantee against rot and fungal attack assuming maintenance and care advice is followed. Boron is significantly more environmentally friendly than traditional VOC solvent based preservative systems.
PAINT FINISH	Factory semi-finished (one base coat and one white or stain top coat). Final top coat and other colours available at additional cost.
DRAUGHTPROOFING	All doors are supplied as standard with white draught-proofing to painted colours and brown draught-proofing to stained finishes unless a specific colour (white or brown) is specified.
TOLERANCE	We will manufacture our products to your specified order size. Please provide us with a structural opening size. We recommend that customers ensure a fitting tolerance is specified at time of order.
HANDING	Doors can be supplied with either left or right handing depending on the desired configuration.
INSTALLATION	Please note that bi-fold doors are hung from the top rail. Due to door-leaf weight the top rail must be securely fixed to a structural support.
IRONMONGERY	Available in stainless steel and gold effect as standard. Brass, chrome and powder coated colours are also available at additional cost.
CILLS	Cills are available in either aluminium (as shown) or timber.

Security and reliability

Our products feature stylish robust dropbolts which anchor door panels firmly into place while built-in systems allow vertical and lateral adjustments to be made. Ironmongery utilises, where appropriate, custom premium grade stainless steel bearings which guarantee silky smooth operation while the quality manufacture is underpinned by Arden's 10-year warranty.



Locking handle and door striker plate detail



Top rail with hanger



Hinge detail, visible when opening

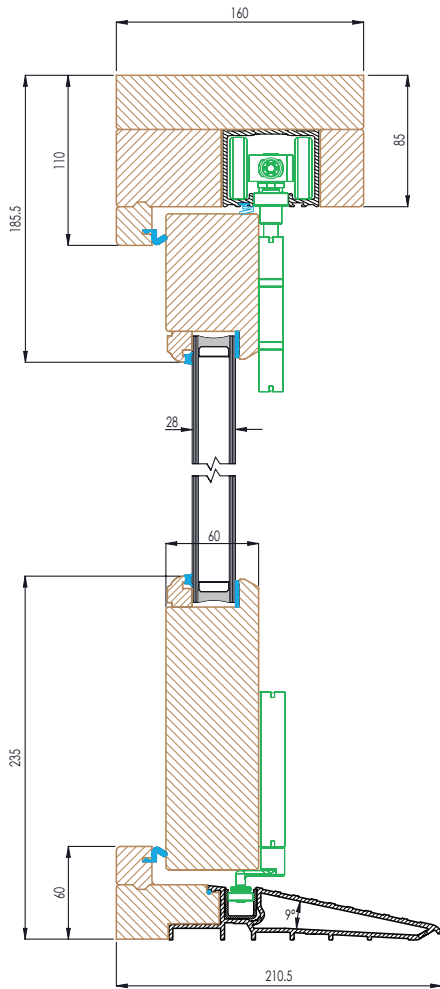


Dropbolts and internal hinge details



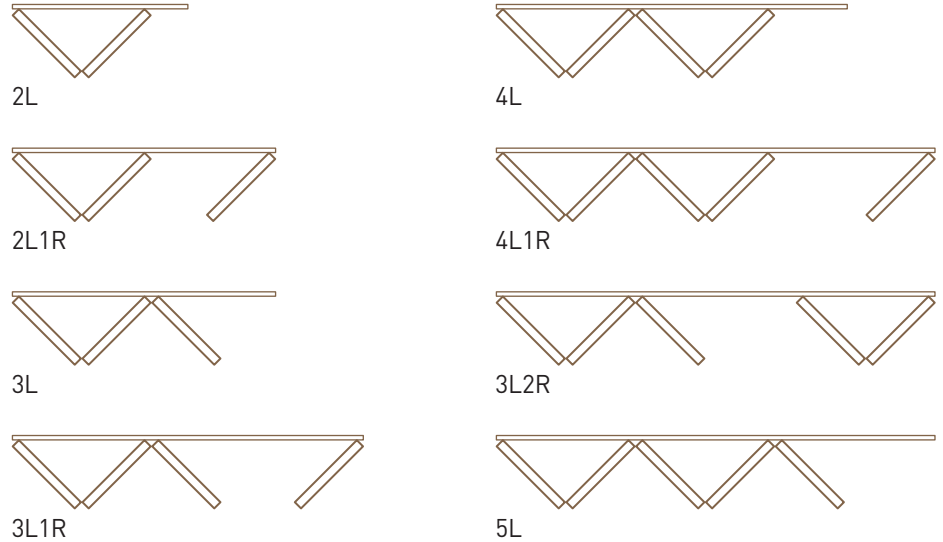
Shown with an aluminium low level threshold

VERTICAL SECTION PROFILE



New products, competitively priced
Stratford™ bi-fold doors

Typical bi-fold opening configurations, from two door leaves upwards, include multiple left (L) and right (R) handed options as shown below.



ARDEN WINDOWS offers a whole range of timber fenestration products including:

- Six systems of timber windows made to any size and configuration from standard section profiles
- Comprehensive range of internal and external doorsets to PAS 23/24
- Full and comprehensive 10 year guarantee on factory glazing and ironmongery (for full details visit www.ardenwindows.net)
- Energy efficient windows to comply with Building Regulations Part L
- Full installation service available on supply & fit projects.

For further information please call us on 02476 632423 or visit our website: www.ardenwindows.net



Arden Windows Ltd
 Arden House
 Sparkbrook Street
 Coventry CV1 5ST

