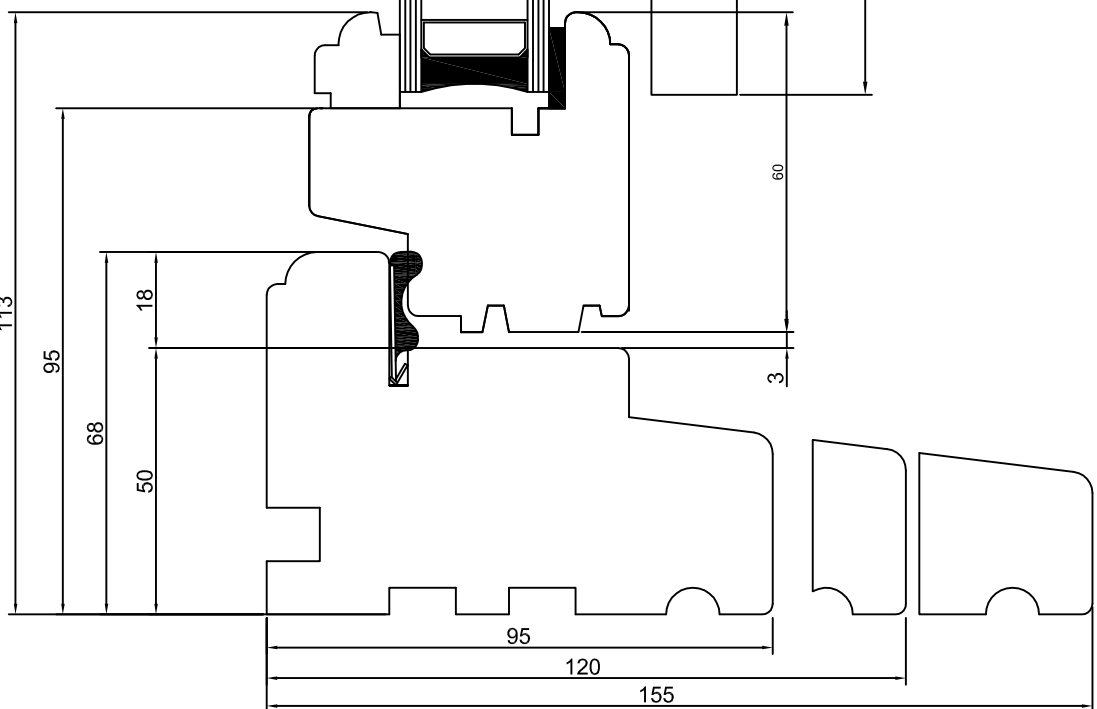
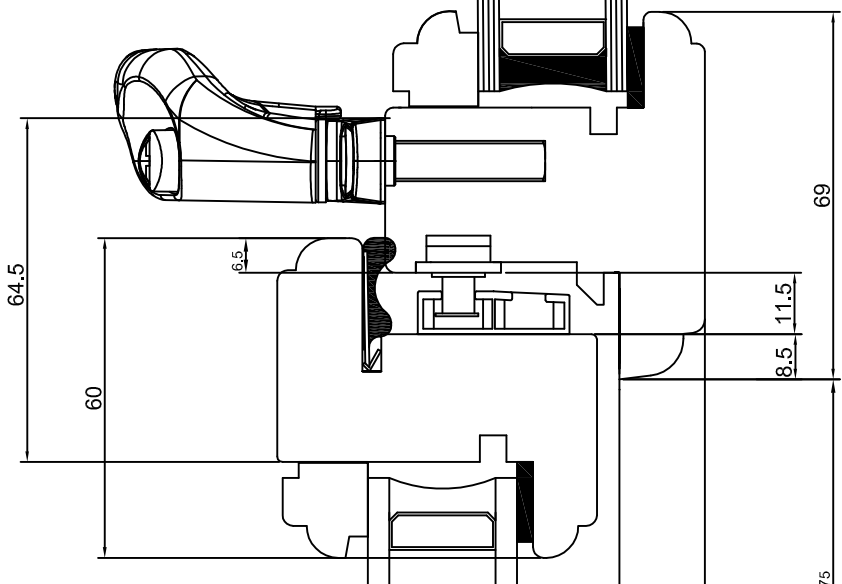


FRONT ELEVATION VIEW



|     |   |          |     |
|-----|---|----------|-----|
| D   | DRAWING CORRECTED PICTORIALLY TO REMOVE SEAL FROM SASH BOTTOM | 08.01.09 | RGT |
| REV | CHANGE  | DATE     | BY  |

  
 Arden Windows Ltd,  
 Arden House,  
 Sparkbrook Street,  
 Coventry CV1 5ST.  
 Tel. 08707 890160  
 Fax. 08707 890161  
[www.ardenwindows.net](http://www.ardenwindows.net)

DETAIL Stoneleigh Mock Sash  
Internally Beaded Vertical Section

Drawn By SB

Approved By

Scale A3 - 1:1  
A4 - NTS

**NOTICE**

THIS DRAWING WAS PREPARED BY ARDEN GROUP LTD ('THE COMPANY') AND THE COPYRIGHT IN THE DRAWING AND THE DESIGN OF THE ITEM(S) DEPICTED BELONGS TO THE COMPANY. ALL RIGHTS RESERVED BY LAW (INCLUDING RIGHTS UNDER INTERNATIONAL COPYRIGHT CONVENTIONS) ARE RESERVED TO THE COMPANY. THIS DRAWING MAY ALSO INCORPORATE INFORMATION WHICH IS CONFIDENTIAL TO THE COMPANY.

REPRODUCTION OF THIS DRAWING AND THE DESIGN DEPICTED IN IT MUST NOT BE UNDERTAKEN WITHOUT THE PRIOR WRITTEN CONSENT OF THE COMPANY. IN ADDITION THE INFORMATION CONTAINED IN THIS DRAWING MUST NOT BE DISSEMINATED WITHOUT THE PRIOR WRITTEN CONSENT OF THE COMPANY.

(C) ARDEN GROUP LTD.

DRG No 90

SHEET 06 Issue D

Dated 11.03.08