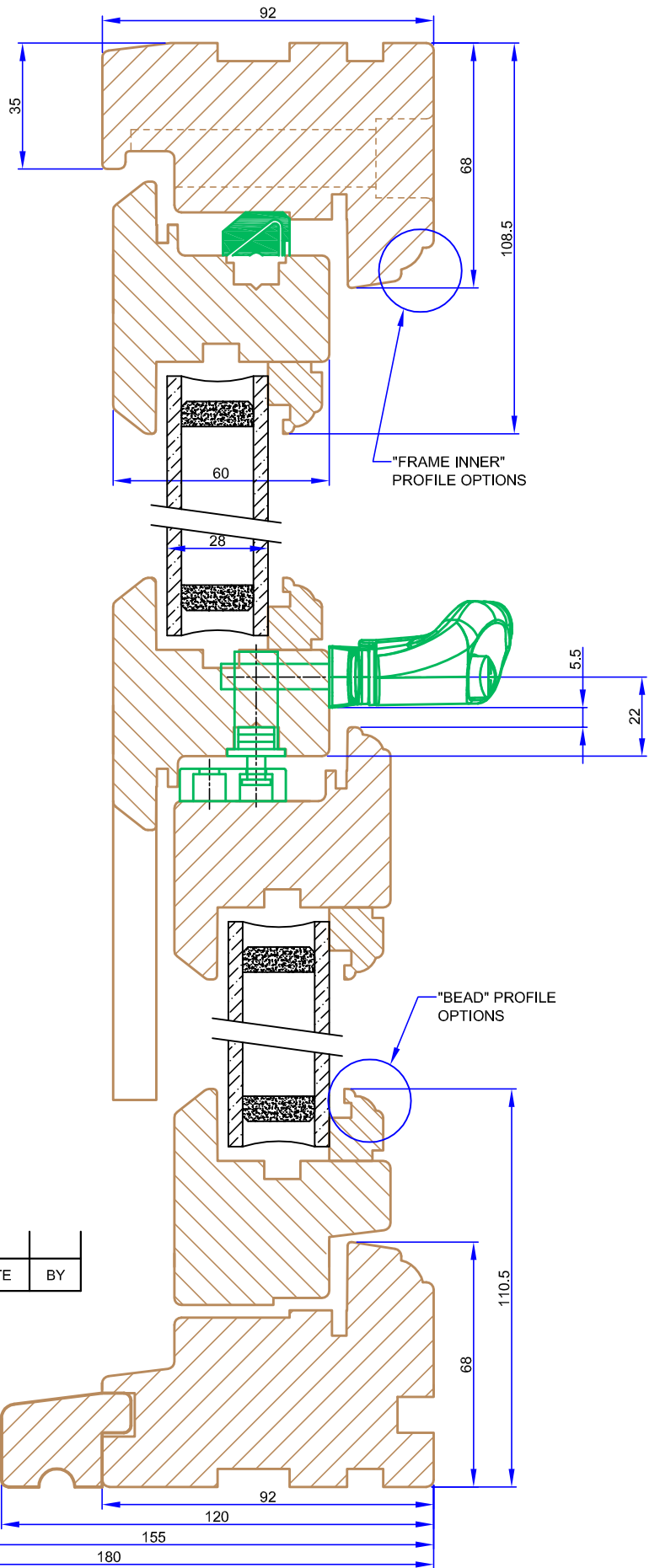


FRONT ELEVATION



REV	CHANGE	DATE	BY


 Arden Windows Ltd,
 Arden House,
 Sparkbrook Street, Coventry CV1 5ST.
 Tel. 02476 623423
 Fax. 02476 237317
 www.ardenwindows.net

DETAIL STONELEIGH INTERNALLY BEADED
VERTICAL CROSS SECTION DETAIL

DRG No
AW STONELEIGH ASSY

SHEET 01 Issue 1st

Drawn By RGT
 Approved By PH
 Dated 29/06/09

SCALE A3 - 1:1.25
 A4 - NTS