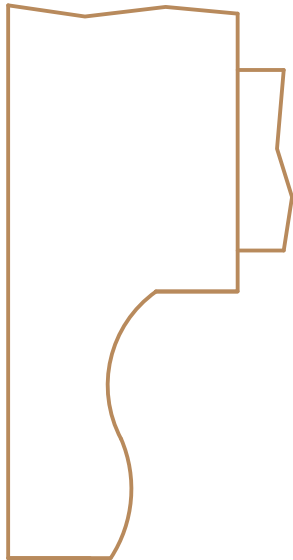
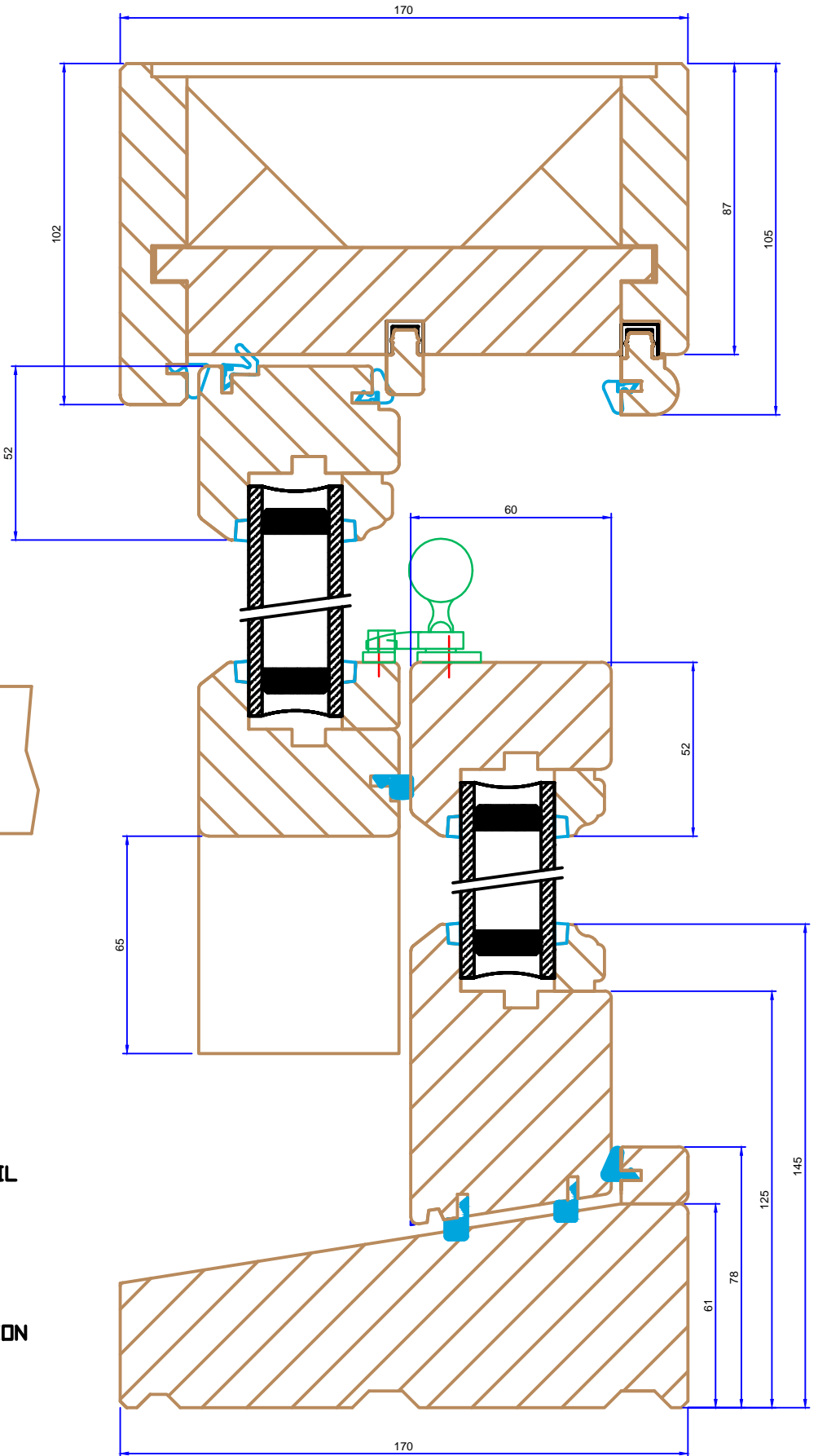


TYPICAL FRONT ELEVATION



HORN PROFILE DETAIL



VERTICAL CROSS SECTION THROUGH WINDOW



Arden Windows Ltd,
Arden House,
Sparkbrook Street, Coventry CV1 5ST.
Tel. 02476 623423
Fax. 02476 237317
www.ardenwindows.net

DETAIL

2017 WEIGHT & PULLEY WINDOW
VERTICAL CROSS SECTION
THROUGH DETAIL

DRG No

AW W & P ASSY

SHEET

6

Issue

1ST

Drawn By

PH

Approved By

Dated

09.05.2017

SCALE

A3 - 1:1

A4 - NTS